



MO-RZ120



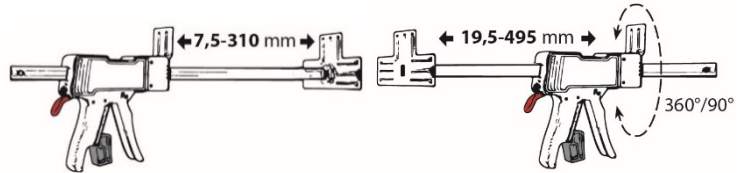
Manual - EN

## IGM Hand Lifting Tool 120kg

2024-10-23  
MO-RZ120 Hand Lifting Tool Manual EN\_v1.01.02 A4ob

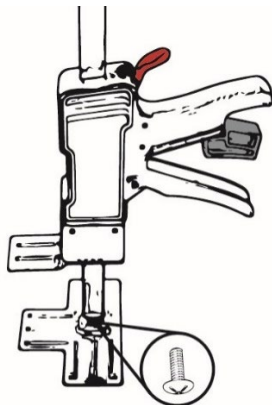
### Product Specification

Front Lifting Capacity: 120 kg  
 Side Lifting Capacity: 60 kg  
 Lifting Range: 7,5 – 310 mm  
 Spreading Range: 1,5 – 495 mm  
 Base Dimensions: 135 x 93 x 4,5 mm  
 Lifting Plate Dimensions: 45 x 45 x 4,5 mm  
 Weight: 1,16 kg  
 Rotatable Lifting Plate in 90° Increments

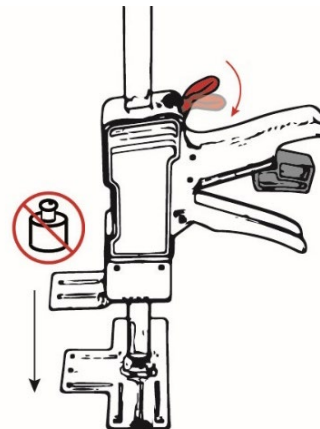


### Assembly

Attach the base to the bar using the supplied screw.  
To convert into a clamp, attach the base on the opposite end of the bar.

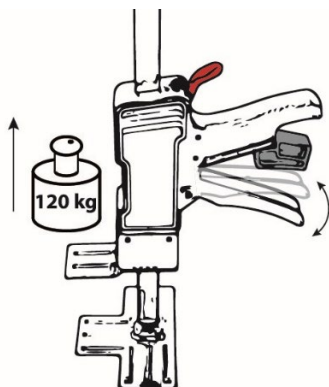


Lower by pressing the red lever.



### Working with the Product

Lift by pressing the handle.



Lower slowly by pressing the grey lever.

